

Acti-Bush Limited

Hardened bush data sheet

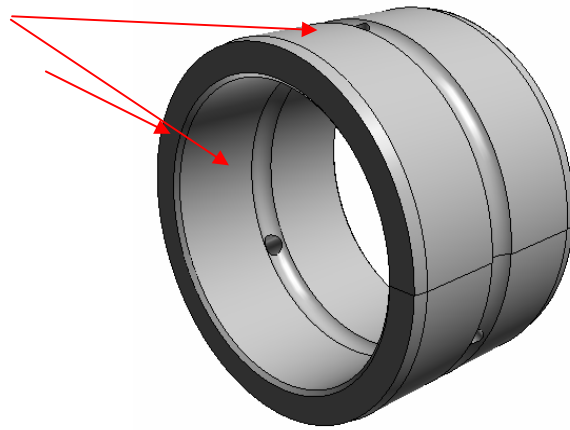
Material: Low alloy carbon steel

Heat treatment: Carburised quenched and tempered. (Surface hardened)

Effective depth of hardening: 1.0mm typical

Surface hardness: 58-60HRc

Core strength: 1000Mpa Typical



Made in New Zealand

Maximum service temperature: 150°C